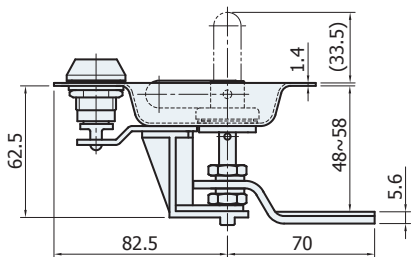
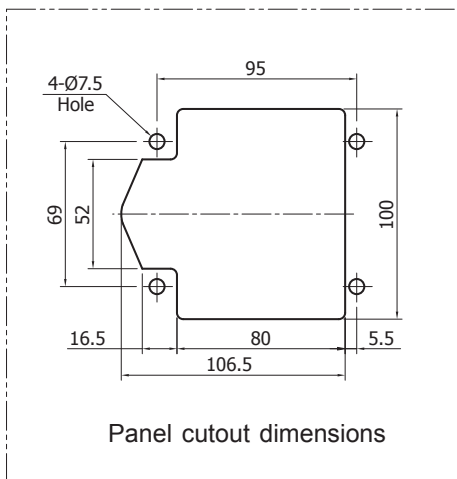
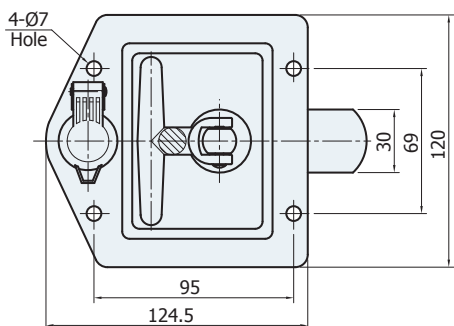
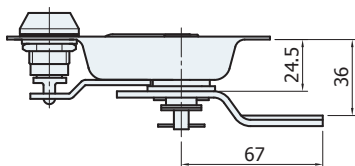


**TYPE**

- 1 AL-1658-1
- 4 AL-1658-4

**AL-1658**

**AL-1658-1**

**AL-1658-4**
**재질**

몸체 : 스테인리스(STS304)  
 핸들, 캠록, 캡 : 아연합금

**표면처리**

몸체 : 광택연마  
 핸들, 캠록 : 크롬도금  
 캡 : 실버 펄

**중량**

AL-1658-1 : 591g

**특징**

2점분리  
 방수기능  
 내식성 우수

**용도**

특장차, 건설기기 등

**Material**

Body : Stainless steel(STS304)  
 Handle, Camlock, Cap : Zinc alloy die-cast

**Finish**

Body : Bright polished  
 Handle, Camlock : Bright chrome plated  
 Cap : Silver pearl

**Weight**

AL-1658-1 : 591g

**Feature**

2-point removal  
 Waterproof  
 Corrosion resistant

**Specific use**

Specially equipped vehicles  
 Cubicles etc.