

AL-120K

LOCKING TYPE

- 2 Latch type
- 3 Rod-bar type



재질

스테인리스(STS304)

표면처리

광택연마

중량

AL-1220K : 437g

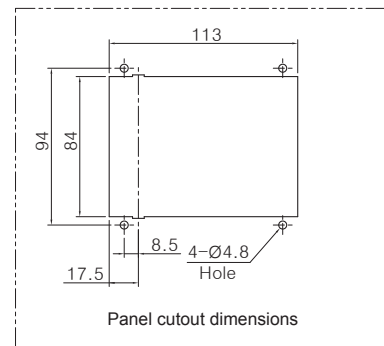
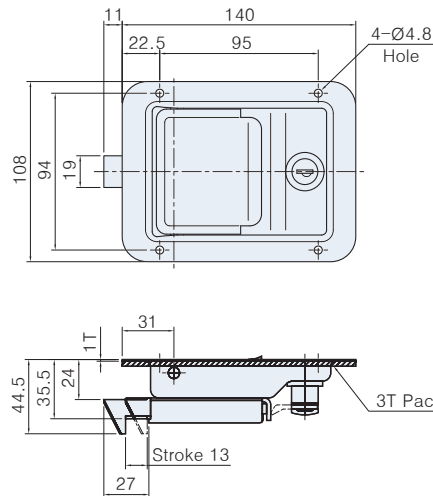
AL-1320K : 466g

특징

- 2점분리
- 2중잠금(AL-1320)
- 방수기능
- 내식성 우수

용도

특장차, 건설기 등



AL-1220

Material

Stainless steel(STS304)

Finish

Bright polished

Weight

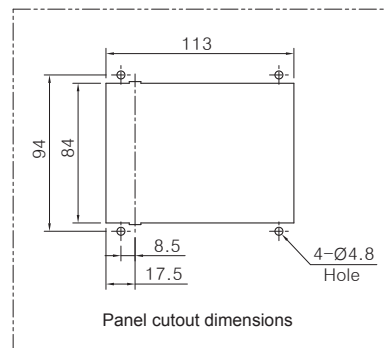
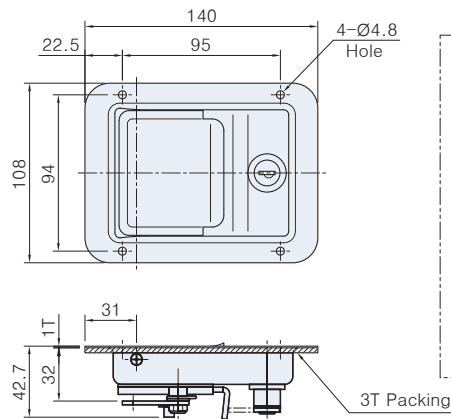
AL-1220K : 437g

AL-1320K : 466g

Feature

- 2-point removal
- 2-point latching(AL-1320)
- Waterproof
- Corrosion resistant

Specific use

Specially-equipped vehicles,
Construction equipment etc.

AL-1320

