



AC-31□0-□

KEY CORE TYPE

- 0 Double bit
- 3 Triangle
- 4 Square

VALUE OF L

- 0 L=0
- 2 L=2
- 18 L=18
- ETC order type

AC-3137

<Triangle 7mm>



재질

아연합금

표면처리

크롬도금

중량

AC-3100(몸체) : 52g

AC-3130(몸체) : 50g

AC-3140(몸체) : 50g

특징

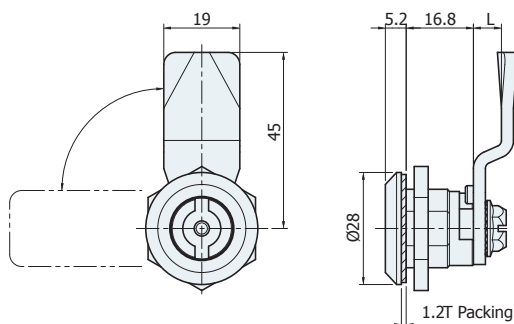
방수기능

스토퍼 회전각도 90°

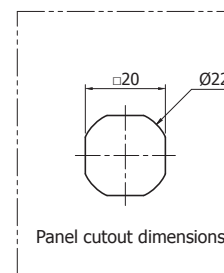
다양한 사이즈의 스톱퍼 주문가능

용도

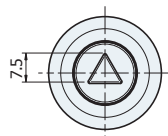
배전반, 분전반 등



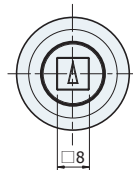
AC-3100



Panel cutout dimensions



AC-3130



AC-3140

Material

Zinc alloy die-cast

Finish

Bright chrome plated

Weight

AC-3100(body) : 52g

AC-3130(body) : 50g

AC-3140(body) : 50g

Feature

Waterproof

Stopper plate rotation 90°

Various size of stopper plate

Specific use

Panel board etc.

Example of installation

