

**AC-3726****재질**

아연합금

**표면처리**

크롬도금

**중량**

45g

**특징**2점분리  
래치에 의한 자동잠김  
동일키**용도**

자동판매기, 컨트롤박스 등

**Material**

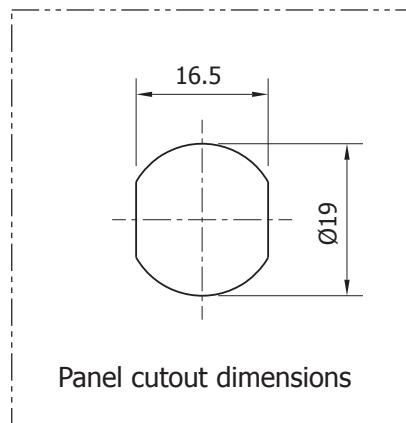
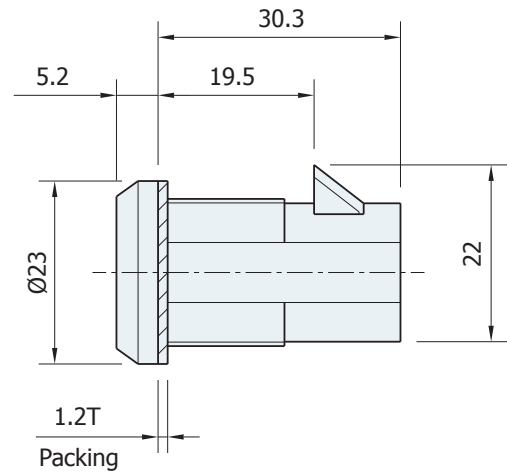
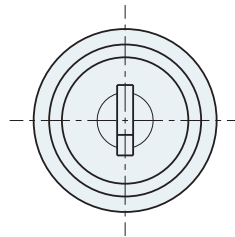
Zinc alloy die-cast

**Finish**

Bright chrome plated

**Weight**

45g

**Feature**2-point removal  
Auto locking by latch  
Same key**Specific use**Vending machine  
Control box etc.

Panel cutout dimensions