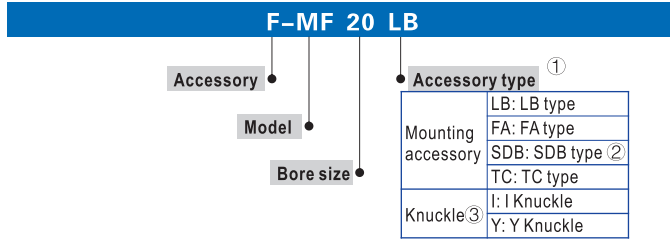


Mini cylinder(Stainless steel)

Accessories

Ordering code



- ① Please refer to accessory list for selection and ordering information.
- ② SDB is attached with relevant PIN.
- ③ Please refer to page 455, 456 for other knuckles.

Accessory selection

Accessories	MF, MFC		MSF, MTF		MFD, MFCD, MFJ, MFCJ	
	Standard	With magnet	Standard	With magnet	Standard	With magnet
Mounting accessory	LB	●	●	●	●	●
	FA	●	●	●	●	●
	SDB	●	●	●	●	×
	TC	●	●	●	●	●
Knuckle ①	I	●	●	●	●	●
	Y	●	●	●	●	●
	U	●	●	●	●	●
	F	●	●	●	●	●
Sensor switch ②	CS1-M	×	●	×	●	●
	DS1-M	×	●	×	●	●

- ① Please refer to P453~456 for knuckle detail,
- ② Please refer to P457~480 for detail of sensor switch.

Material of accessories

Accessories	Mounting accessories				Knuckle			
	LB	FA	SDB	TC	I	Y	F	U
20~40	△	△	△	■	□	□	□	□

■ — Cast steel, △ — SPCC, □ — Carbon steel.

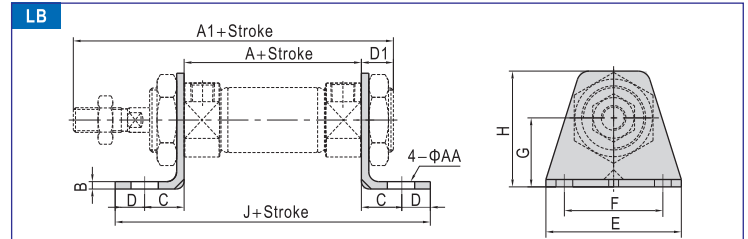
List for ordering code of accessories

Accessories	Mounting accessory			
	LB	FA	TC	SDB
20	F-MF20LB	F-MF20FA	F-MF20TC	F-MF20SDB
25				
32	F-MF32LB	F-MF32FA	F-MF32TC	F-MF32SDB
40	F-MF40LB	F-MF40FA	F-MF40TC	F-MF32SDB

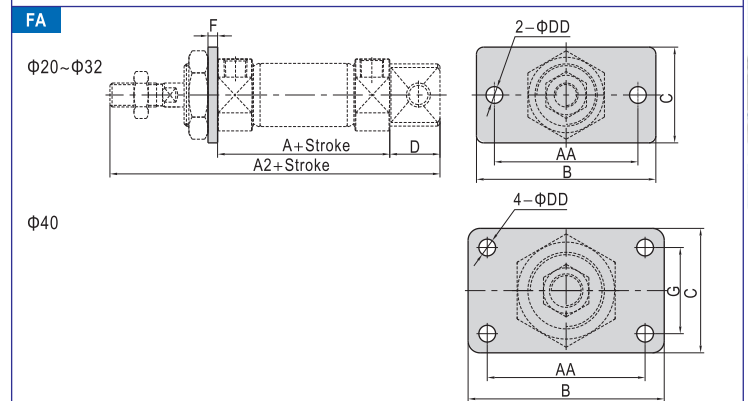
Accessories	Knuckle			
	I: I Knuckle	Y: Y Knuckle	F: F Knuckle	U: U Knuckle
20	F-MF20I	F-MF20Y	F-M10X125F	F-M8X125U
25				
32	F-MF25I	F-MF25Y	F-M10X125F	F-M10X125U
40	F-MF40I	F-MF40Y	F-M14X150F	F-M14X150U

Accessories	Sensor switch	
	CS1-M□	DS1-M□
20	CS1-M-S20	DS1-M-S20
25	CS1-M-S25	DS1-M-S25
32	CS1-M-S32	DS1-M-S32
40	CS1-M-S40	DS1-M-S40

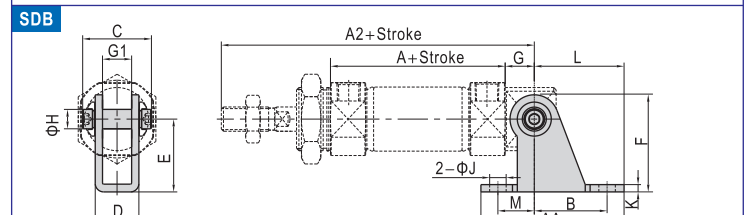
Dimensions



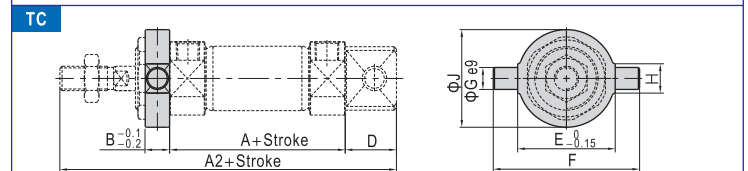
Bore size\Item	A	A1	AA	B	C	D	D1	E	F	G	H	J
20	62	116	7	3	20	8	13	55	40	25	40	118
25	62	120	7	3	20	8	13	55	40	28	47	118
32	64	122	7	3	20	8	13	55	40	28	47	120
40	88	154	7	3	23	10	16	75	55	30	54	154



Bore size\Item	A	A2	AA	B	C	D	DD	F	G
20	62	124	60	75	34	21	7	4	-
25	62	128	60	75	40	21	7	4	-
32	64	136	60	75	40	27	7	4	-
40	88	165	66	82	52	27	7	5	36



Bore size\Item	A	A2	AA	B	C	D	E	F	G	G1	H	K	J	L	M
20	62	115	59	30	32	18.1	30	40	12	12.1	8	3	6.8	37	15
25	62	119	59	30	32	18.1	30	40	12	12.1	8	3	6.8	37	15
32	64	124	75	40	44	28.1	40	53	15	20.1	10	4	9	50	15
40	88	153	75	40	44	28.1	40	53	15	20.1	10	4	9	50	15



Bore size\Item	A	A2	B	D	E	F	G	H	J
20	62	124	10	21	32	52	8	12	32
25	62	128	10	21	40	60	9	12	40
32	64	136	10	27	40	60	9	12	40
40	88	165	11	27	53	77	10	14	53

Special nut for TC

Bore size\Item	A	B	C	D	E
20	26	28	8	25	M20×1.5
25	32	34	8	31	M26×1.5
32	32	34	8	31	M26×1.5
40	41	45	10	40	M32×2.0

