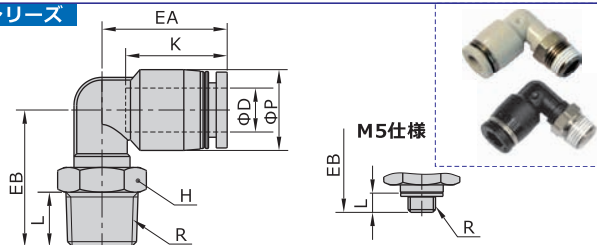


チューブーネジ類

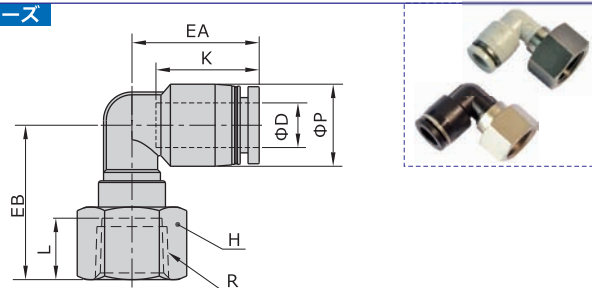
■ 外形寸法図

PLシリーズ



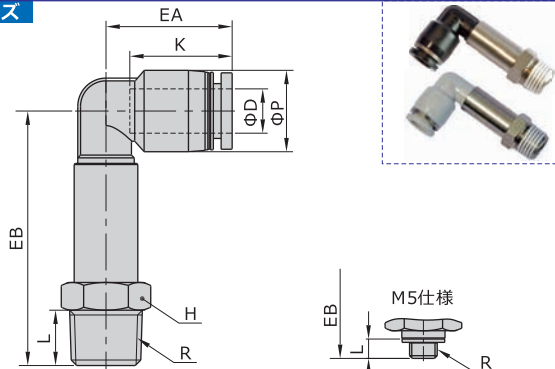
型式/記号	ΦD	R	ΦP	L	K	EA	EB	対辺H	重量(g)
PL4M5	4	M5×0.8	9	3.5	14	17	15	8	3
PL401		1/8"	9	7.5	14	17	18.5	10	4.5
PL402		1/4"	9	10	14	17	22	14	12
PL6M5	6	M5×0.8	12.5	3.5	17	20	17	8	4.5
PL601		1/8"	12.5	7.5	17	20	20.5	10	6
PL602		1/4"	12.5	10	17	20	24	14	13.5
PL603	6	3/8"	12.5	11	17	20	25.5	17	20.5
PL604		1/2"	12.5	14	17	20	30	21	36
PL801		1/8"	15	7.5	18.5	23	20.5	10	7.5
PL802	8	1/4"	15	10	18.5	23	25	14	13
PL803		3/8"	15	11	18.5	23	26.5	17	21
PL804		1/2"	15	14	18.5	23	31	21	36
PL1001	10	1/8"	18	7.5	21	25.5	25	17	16.5
PL1002		1/4"	18	10	21	25.5	27	17	19
PL1003		3/8"	18	11	21	25.5	28	17	21
PL1004	10	1/2"	18	14	21	25.5	32.5	21	37
PL1201		1/8"	21	7.5	23	28.5	26.5	17	19
PL1202		12	1/4"	21	10	23	28.5	28.5	17
PL1203	3/8"		21	11	23	29.5	33	17	25.5
PL1204	1/2"		21	14	23	29.5	34	21	37

PLFシリーズ



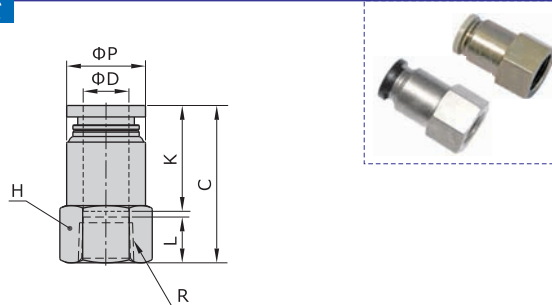
型式/記号	ΦD	R	ΦP	L	K	EA	EB	対辺H
PLF4M5	4	M5×0.8	9	6	14	17	16	10
PLF401		1/8"	9	8	14	17	21	14
PLF402		1/4"	9	11	14	17	24	17
PLF6M5	6	M5×0.8	12.5	6	17	20	18.5	10
PLF601		1/8"	12.5	8	17	20	23	14
PLF602		1/4"	12.5	11	17	20	26	17
PLF603	6	3/8"	12.5	12	17	20	27	21
PLF801		1/8"	15	8	18.5	23	20	14
PLF802		8	1/4"	15	11	18.5	23	27.5
PLF803	3/8"		15	12	18.5	23	28.5	21
PLF804	1/2"		15	13.5	18.5	23	30	25
PLF1001	10	1/8"	18	8	21	25.5	24	17
PLF1002		1/4"	18	11	21	25.5	26.5	17
PLF1003		3/8"	18	12	21	25.5	30	21
PLF1004	10	1/2"	18	13.5	21	25.5	31.5	25
PLF1202		1/4"	21	11	23	28.5	28.5	17
PLF1203		12	3/8"	21	12	23	29.5	32
PLF1204	1/2"		21	13.5	23	29.5	33	25

PLLシリーズ



型式/記号	ΦD	R	ΦP	L	K	EA	EB	対辺H
PLL4M5	4	M5×0.8	9	3.5	14	17	32.5	8
PLL401		PT1/8	9	7.5	14	17	36	10
PLL402		PT1/4	9	10	14	17	39	14
PLL6M5	6	M5×0.8	12.5	3.5	17	20	35	8
PLL601		PT1/8	12.5	7.5	17	20	38	10
PLL602		PT1/4	12.5	10	17	20	41	14
PLL603	6	PT3/8	12.5	11	17	20	43.5	17
PLL801		PT1/8	15	7.5	18.5	23	43.5	10
PLL802		8	PT1/4	15	10	18.5	23	46
PLL803	PT3/8		15	11	18.5	23	48.5	17
PLL1001	PT1/8		18	7.5	21	25.5	51.5	15
PLL1002	10	PT1/4	18	10	21	25.5	54.5	15
PLL1003		PT3/8	18	11	21	25.5	55.5	17
PLL1004		PT1/2	18	14	21	25.5	60	21
PLL1202	12	PT1/4	21	10	23	28.5	56.5	15
PLL1203		PT3/8	21	11	23	29.5	61	17
PLL1204		PT1/2	21	14	23	29.5	64	21

PCFシリーズ



型式/記号	ΦD	R	ΦP	L	C	K	対辺H	
PCF4M5	4	M5×0.8	9	6	21	14	10	
PCF401		1/8"	9.5	8	23	14	14	
PCF402		1/4"	9.5	11	26	14	17	
PCF6M5	6	M5×0.8	12	6	21.5	16.5	12	
PCF601		1/8"	12.5	8	25.5	16.5	14	
PCF602		6	1/4"	12.5	11	28.5	16.5	17
PCF603	3/8"		13	12	29.5	16.5	21	
PCF604	1/2"		13	13.5	31.0	16.5	25	
PCF801	8	1/8"	14	8	27.5	18.5	14	
PCF802		8	1/4"	14.5	11	30.5	18.5	17
PCF803			3/8"	14.5	12	31.5	18.5	21
PCF804	1/2"		14.5	13.5	33	18.5	25	
PCF1001	10	1/8"	17	8	29	21	17	
PCF1002		10	1/4"	17	11	33	21	17
PCF1003			3/8"	18	12	34	21	21
PCF1004	1/2"		18	13.5	35.5	21	25	
PCF1202	12	1/4"	21	11	33.5	23	21	
PCF1203		12	3/8"	21	12	35.5	23	21
PCF1204			1/2"	21	13.5	37	23	25



← Back
継手

