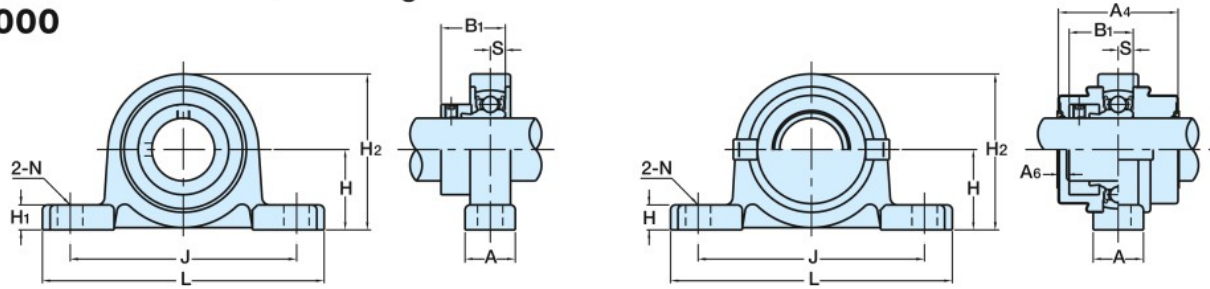


Pillow Block with an eccentric locking collar  
**MUSP000**

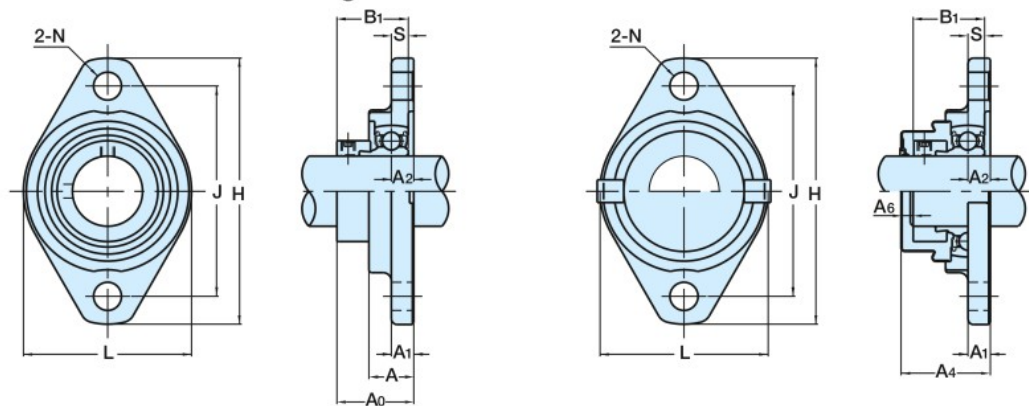


**MUSP**

Shaft Dia. (mm)	Unit No.	Dimension (mm)											Mounting bolt size
		H	L	A	J	N	H <sub>1</sub>	H <sub>2</sub>	B <sub>1</sub>	S	A <sub>4</sub>	A <sub>6</sub>	
10	MUSP000	18	67	16	53	7	5	34	17.5	4	33	2	M6
12	MUSP001	19	71	16	56	7	6	37	17.5	4	33	2	M6
15	MUSP002	22	80	16	63	7	6	42	18.5	4.5	34	2	M6
17	MUSP003	24	85	18	67	7	7	46	20.5	5	38	2	M6
20	MUSP004	28	100	20	80	10	8	53.5	24.5	6	46	3	M8
25	MUSP005	32	112	20	90	10	9	60.5	25.5	6	47	3	M8

Shaft Dia. (mm)	Bearing		Housing No.	Bearing unit with stainless steel covers		Stainless steel cover No.		weight (g)	
	Bearing No.	Basic Load Rating (kN)		with 2 open covers (with 1 open 1 end covers)	open cover	end cover	standard	with covers	
		Cr							Cor
10	MU000+ER-MSG	3.9	1.55	SP000	MUSP000C(E)	000CP10	000CPE	79	89
12	MU001+ER-MSG	4.3	1.9	SP001	MUSP001C(E)	001CP12	001CPE	98	109
15	MU002+ER-MSG	4.75	2.25	SP002	MUSP002C(E)	002CP15	002CPE	129	141
17	MU003+ER-MSG	5.1	2.65	SP003	MUSP003C(E)	003CP17	003CPE	170	186
20	MU004+ER-MSG	7.9	4	SP004	MUSP004C(E)	04-5CP20	04-5CPE	258	282
25	MU005+ER-MSG	8.6	4.65	SP005	MUSP005C(E)	05-6CP25	05-6CPE	333	358

Two-bolt Flange with an eccentric locking collar  
**MUSFL000**



**MUSFL**

Shaft Dia. (mm)	Unit No.	Dimension (mm)											Mounting bolt size	
		H	L	A	J	N	A <sub>1</sub>	A <sub>2</sub>	A <sub>0</sub>	B <sub>1</sub>	S	A <sub>4</sub>		A <sub>6</sub>
10	MUSFL000	60	36	11.5	45	7	5.5	5.5	19	17.5	4	22	2	M6
12	MUSFL001	63	38	11.5	48	7	5.5	5.5	19	17.5	4	22	2	M6
15	MUSFL002	67	42	13	53	7	6.5	6.5	20.5	18.5	4.5	24	2	M6
17	MUSFL003	71	46	14	56	7	7	7	22.5	20.5	5	26	2	M6
20	MUSFL004	90	55	16	71	10	8	8	26.5	24.5	6	31	3	M8
25	MUSFL005	95	60	16	75	10	8	8	27.5	25.5	6	32	3	M8

Shaft Dia. (mm)	Bearing		Housing No.	Bearing unit with a stainless steel cover		Stainless steel cover No.		weight (g)	
	Bearing No.	Basic Load Rating (kN)		with an open cover (with an end cover)	open cover	end cover	standard	with a cover	
		Cr							Cor
10	MU000+ER-MSG	3.9	1.55	SFL000	MUSFL000C(E)	000CP10	000CPE	77	84
12	MU001+ER-MSG	4.3	1.9	SFL001	MUSFL001C(E)	001CP12	001CPE	87	93
15	MU002+ER-MSG	4.75	2.25	SFL002	MUSFL002C(E)	002CP15	002CPE	115	122
17	MU003+ER-MSG	5.1	2.65	SFL003	MUSFL003C(E)	003CP17	003CPE	146	154
20	MU004+ER-MSG	7.9	4	SFL004	MUSFL004C(E)	04-5CP20	04-5CPE	253	265
25	MU005+ER-MSG	8.6	4.65	SFL005	MUSFL005C(E)	05-6CP25	05-6CPE	298	311