

Glycerin pressure gauge

φ 60

※It takes 30~40 days to produce make-to-order (MTO) models.

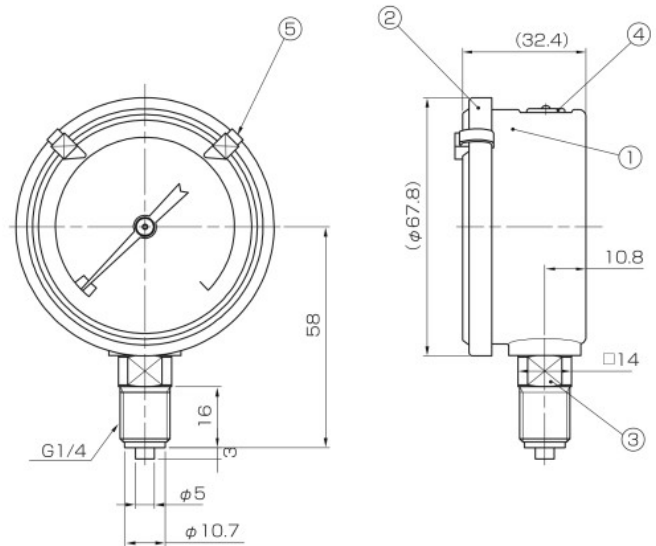
φ60 parts table

No.	Parts	Material	Q'ty
1	Case	SUS304	1
2	Lid	SUS304	1
3	Socket	C3604BD	1
4	Safety cap	Silicon rubber	1
5	Safety mark	PP/SUS304	2
6	Bracket	SPCD	1
7	Wing nut	SS400	2

φ60 A type G1/4

Profile	Frameless	Screw type	G1/4
Socket type	Square	Weight	250g

Order no.	Model	MTO
R403-504	OPG-AT-G1/4-60× 0.25MPa	
R403-506	OPG-AT-G1/4-60× 0.6 MPa	
R403-507	OPG-AT-G1/4-60× 1 MPa	
R403-508	OPG-AT-G1/4-60× 1.6 MPa	
R403-509	OPG-AT-G1/4-60× 2.5 MPa	
R403-510	OPG-AT-G1/4-60× 4 MPa	
R403-511	OPG-AT-G1/4-60× 6 MPa	
R403-512	OPG-AT-G1/4-60× 10 MPa	
R403-513	OPG-AT-G1/4-60× 16 MPa	
R403-514	OPG-AT-G1/4-60× 25 MPa	
R403-515	OPG-AT-G1/4-60× 40 MPa	
R403-516	OPG-AT-G1/4-60× 60 MPa	
R403-517	OPG-AT-G1/4-60×100 MPa	※

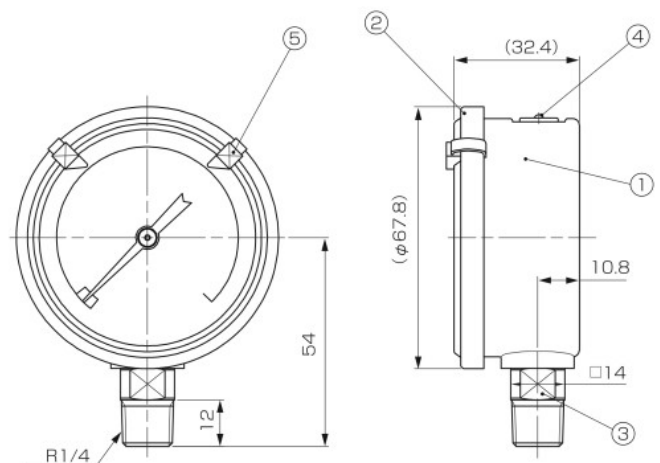


If you want to attach the color ring to pressure gauge, please add "-CR" to the end of the model number when ordering.

φ60 A type R1/4

Profile	Frameless	Screw type	R1/4
Socket type	Square	Weight	250g

Order no.	Model	MTO
R403-604	OPG-AT-R1/4-60× 0.25MPa	※
R403-606	OPG-AT-R1/4-60× 0.6 MPa	
R403-607	OPG-AT-R1/4-60× 1 MPa	
R403-608	OPG-AT-R1/4-60× 1.6 MPa	※
R403-609	OPG-AT-R1/4-60× 2.5 MPa	
R403-610	OPG-AT-R1/4-60× 4 MPa	
R403-611	OPG-AT-R1/4-60× 6 MPa	
R403-612	OPG-AT-R1/4-60× 10 MPa	
R403-613	OPG-AT-R1/4-60× 16 MPa	
R403-614	OPG-AT-R1/4-60× 25 MPa	
R403-615	OPG-AT-R1/4-60× 40 MPa	
R403-616	OPG-AT-R1/4-60× 60 MPa	
R403-617	OPG-AT-R1/4-60×100 MPa	※



If you want to attach the color ring to pressure gauge, please add "-CR" to the end of the model number when ordering.